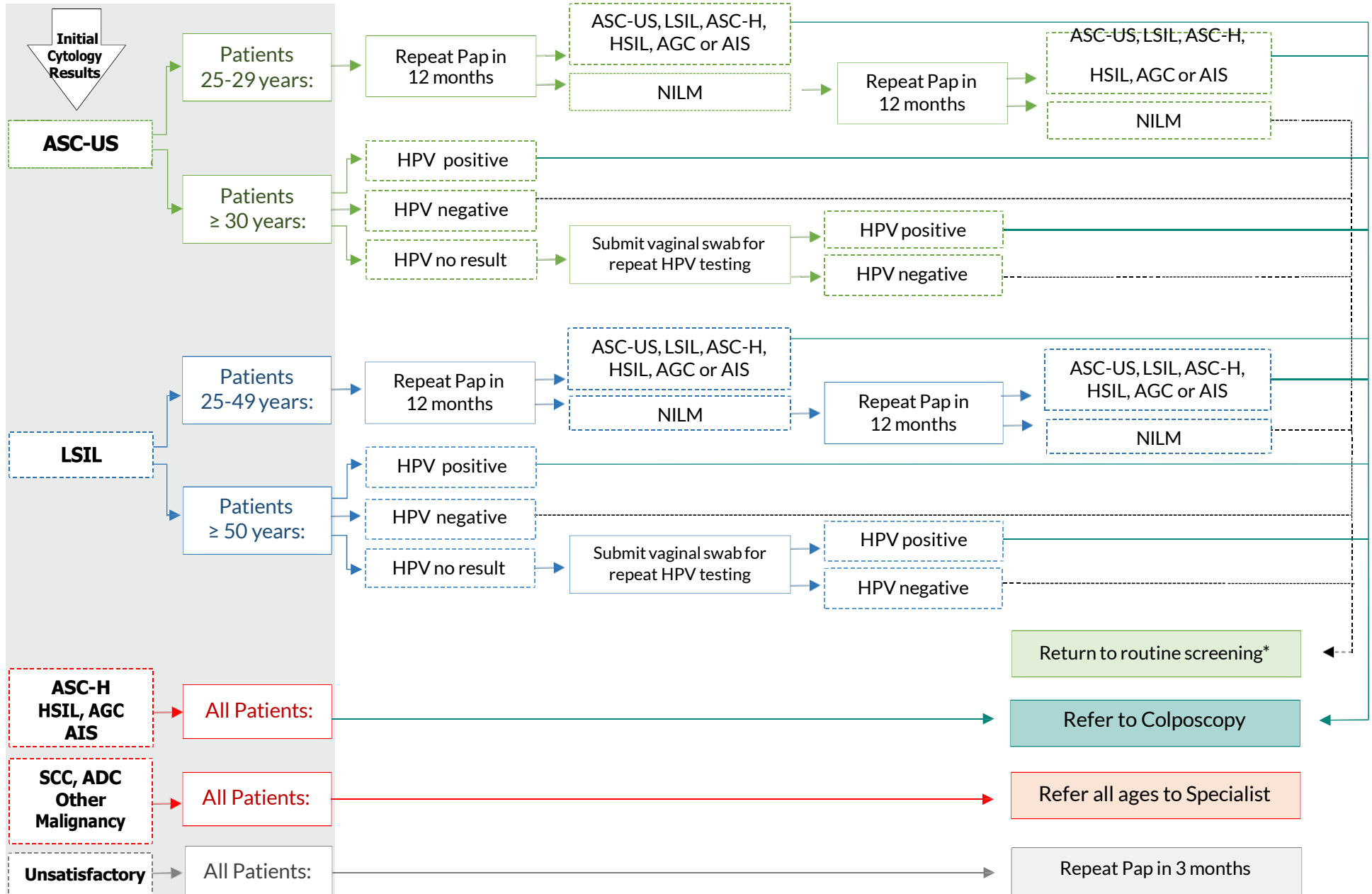




# Does my Patient Need a Referral to Colposcopy?

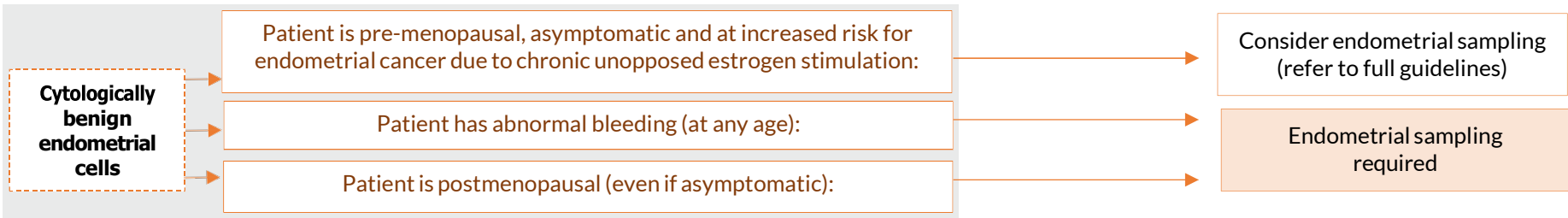
Do NOT screen under 21 years.



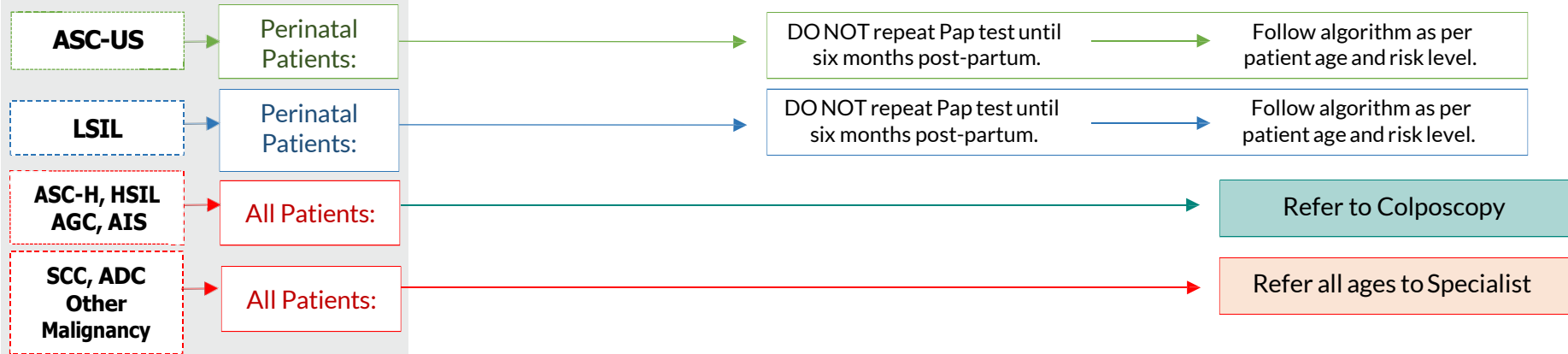
For the Cervical Cancer Screening Clinical Practice Guideline refer to: [http://www.saskcancer.ca/images/pdfs/health\\_professionals/clinical\\_resources/cancer\\_screening\\_guidelines\\_and\\_resources/Cervical%20Cancer%20Screening%20Guidelines.pdf](http://www.saskcancer.ca/images/pdfs/health_professionals/clinical_resources/cancer_screening_guidelines_and_resources/Cervical%20Cancer%20Screening%20Guidelines.pdf)

\* Routine screening is every 3 years. Refer to [full guidelines](#) for information on increased risk surveillance.

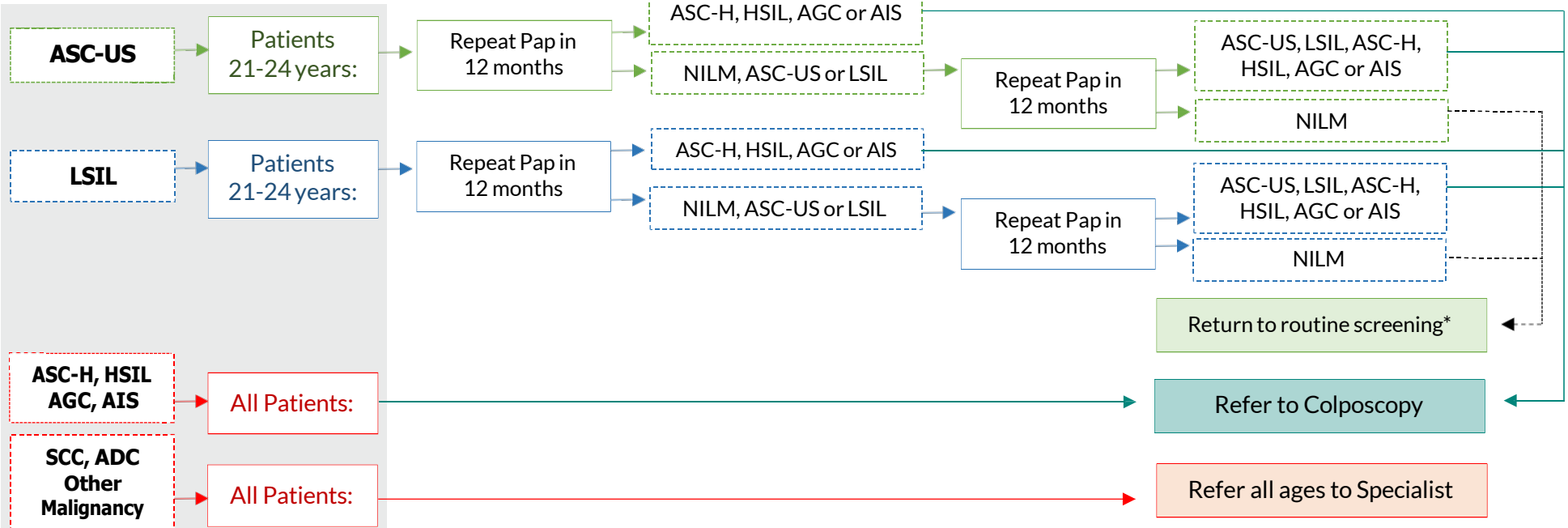
Do NOT screen under 21 years.



**Considerations for Perinatal Patients** Do NOT perform Pap unless participant is due for one during pregnancy.



**Considerations for Patients 21 – 24 years\*** Testing can be offered with proper counselling.



For the Cervical Cancer Screening Clinical Practice Guideline refer to: [http://www.saskcancer.ca/images/pdfs/health\\_professionals/clinical\\_resources/cancer\\_screening\\_guidelines\\_and\\_resources/Cervical%20Cancer%20Screening%20Guidelines.pdf](http://www.saskcancer.ca/images/pdfs/health_professionals/clinical_resources/cancer_screening_guidelines_and_resources/Cervical%20Cancer%20Screening%20Guidelines.pdf)